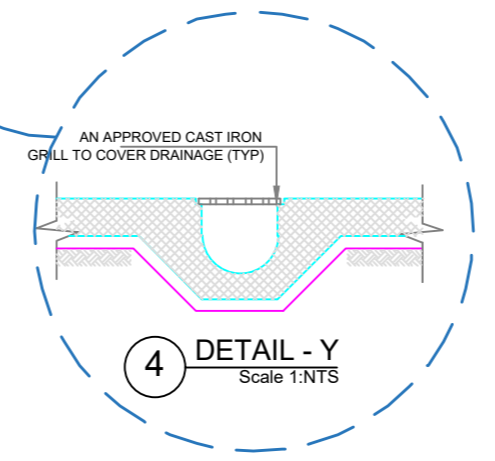

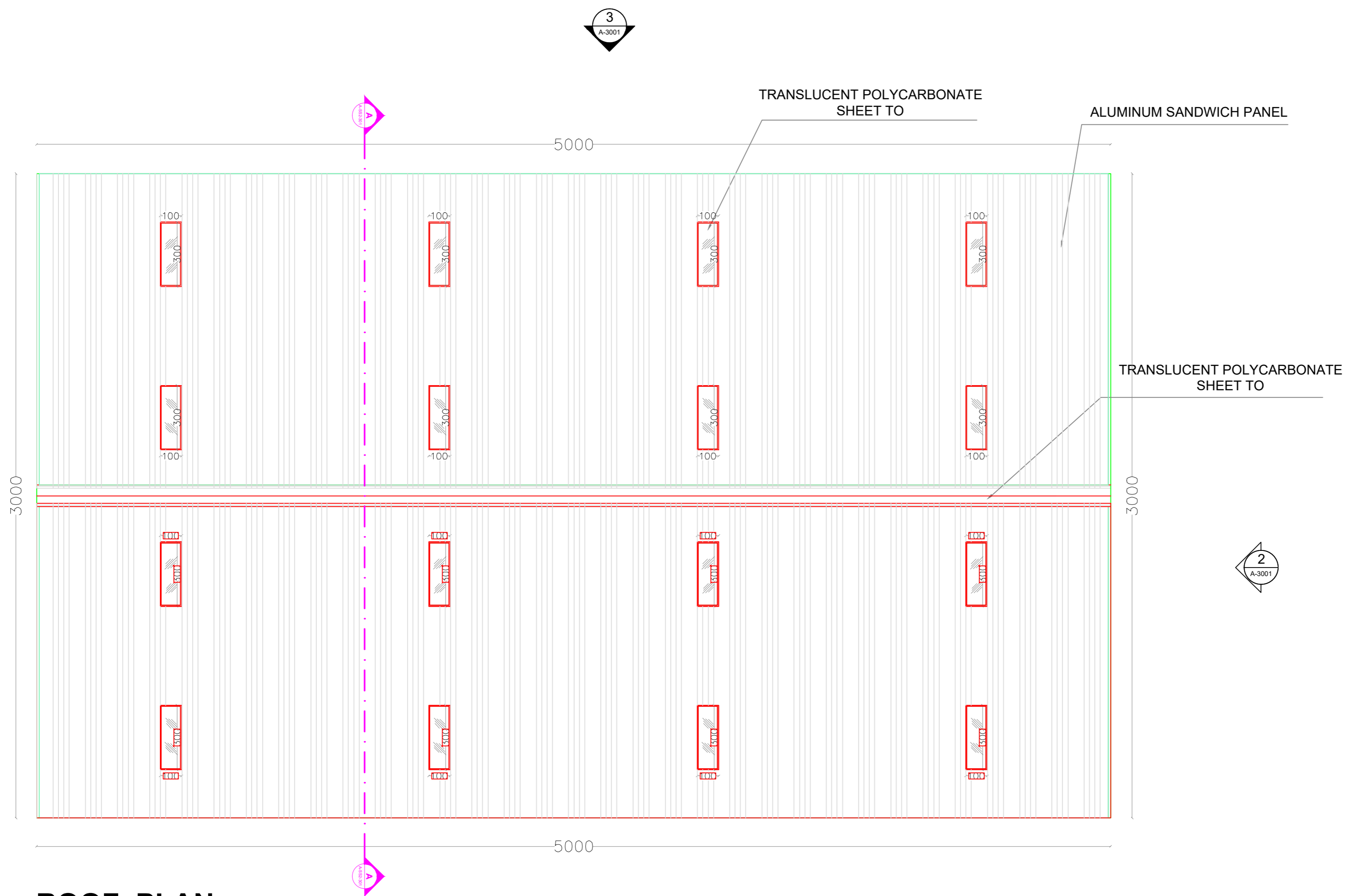


GROUND FLOOR PLAN
Scale: 1/150



LAND KEY :		
GENERAL NOTES :		
XX	XXXXX XXX XXXXX	XX/XX/XXXX
REV. NO.	DESCRIPTION	Date
		
CHECKED BY: Eng Mohamed Adel Mob: 0506737577		
OWNER: 1-ABI DHABI GOVERNMENT 2-EMIRATES FALCONS AVIATION		
CONSULTANT : GOLDEN CORNER ENG.CONSULTING TEL :03-7666631 FAX :03-7666727 P.O.BOX:84660 EMAIL:GCEC01@ GMAIL.COM		
PROJECT NAME : EMIRATES FALCONS AVIATION		
ZONE : NAHEL TOWN	PLOT NO : 56-03-802-625	
SECTOR : AL SHAQQ		
PROJECT DESCRIPTION : SUPPORT CLUB & RUNWAY		
DRAWING TITLE : Hanger (Plan)		
DRAWING NO : EFA-H-A30	REVISION NO: xxx	
SUBMISSION DATE : Dec-20	SCALE : 1-150	
PROJECT ID : B2N-2019-007520	DRAWING SIZE : A2	
OFFICIAL USE ONLY :		
OFFICIAL USE ONLY :		



ROOF PLAN

Scale: 1/150

LAND KEY :

GENERAL NOTES :

XX	XXXXX XXX XXXXX	XX/XX/XXXX
REV. NO.	DESCRIPTION	Date



CHECKED BY: Eng Mohamed Adel Mob: 0506737577

OWNER: 1-ABI DHABI GOVERNMENT
2-EMIRATES FALCONS AVIATION

CONSULTANT: GOLDEN CORNER ENG. CONSULTING
TEL :03-7666631
FAX :03-7666727
P.O.BOX:84660
EMAIL:GCEC01@GMAIL.COM



PROJECT NAME: EMIRATES FALCONS AVIATION

ZONE: NAHEL TOWN PLOT NO: 56-03-802-625

SECTOR: AL SHAQQ

PROJECT DESCRIPTION: SUPPORT CLUB & RUNWAY

DRAWING TITLE: Hanger (Roof)

DRAWING NO: EFA-H-A31 REVISION NO: xxx

SUBMISSION DATE: Dec-20 SCALE: 1-150

PROJECT ID: B2N-2019-007520 DRAWING SIZE: A2

OFFICIAL USE ONLY :

OFFICIAL USE ONLY :

LAND KEY :

GENERAL NOTES :

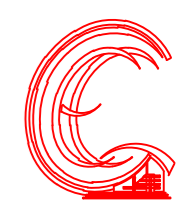
XX	XXXXX XXX XXXXX	XX/XX/XXXX
REV. NO.	DESCRIPTION	Date



CHECKED BY:
Eng Mohamed Adel Mob: 0506737577

OWNER: 1-ABI DHABI GOVERNMENT
2-EMIRATES FALCONS AVIATION

CONSULTANT:
GOLDEN CORNER ENG.CONSULTING
TEL :03-7666631
FAX :03-7666727
P.O.BOX:84660
EMAIL:GCEC01@ GMAIL.COM



PROJECT NAME:
EMIRATES FALCONS AVIATION

ZONE : NAHEL TOWN PLOT NO : 56-03-802-625

SECTOR : AL SHAQQ

PROJECT DESCRIPTION :
SUPPORT CLUB & RUNWAY

DRAWING TITLE:
Hanger (Elevations)

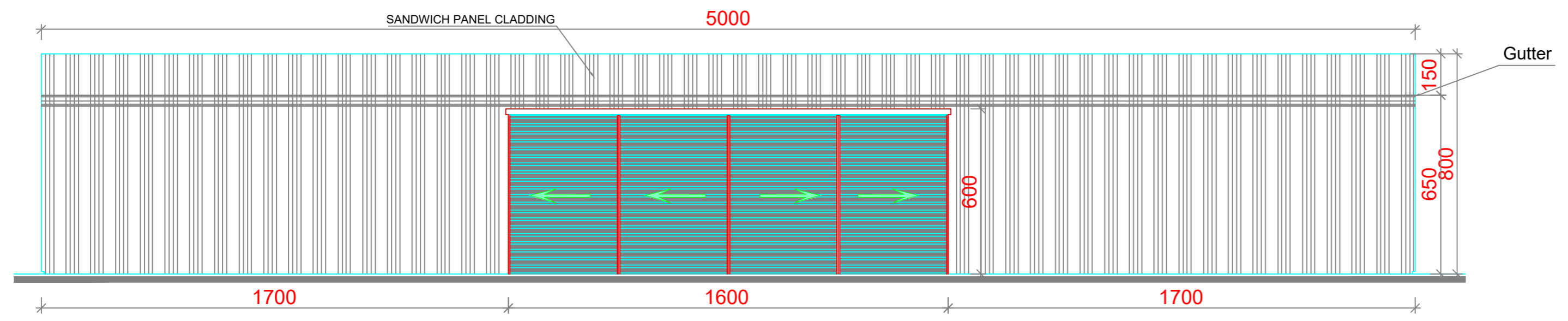
DRAWING NO : EFA-H-A32 REVISION NO: xxx

SUBMISSION DATE : Dec-20 SCALE : NTS

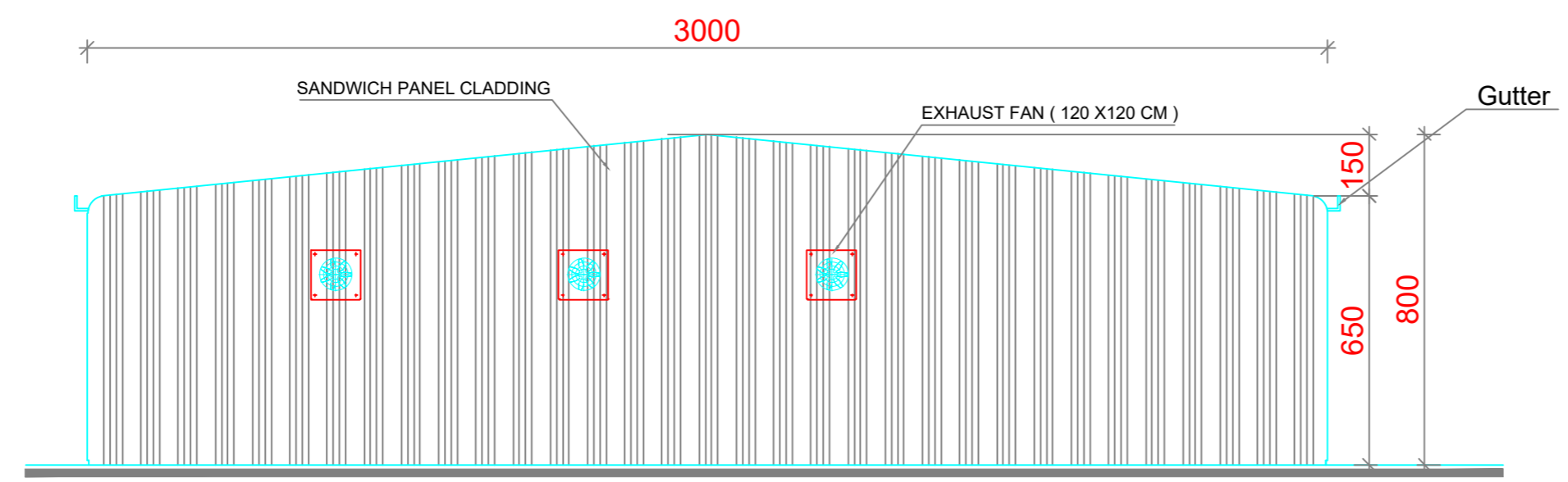
PROJECT ID : B2N-2019-007520 DRAWING SIZE : **A2**

OFFICIAL USE ONLY :

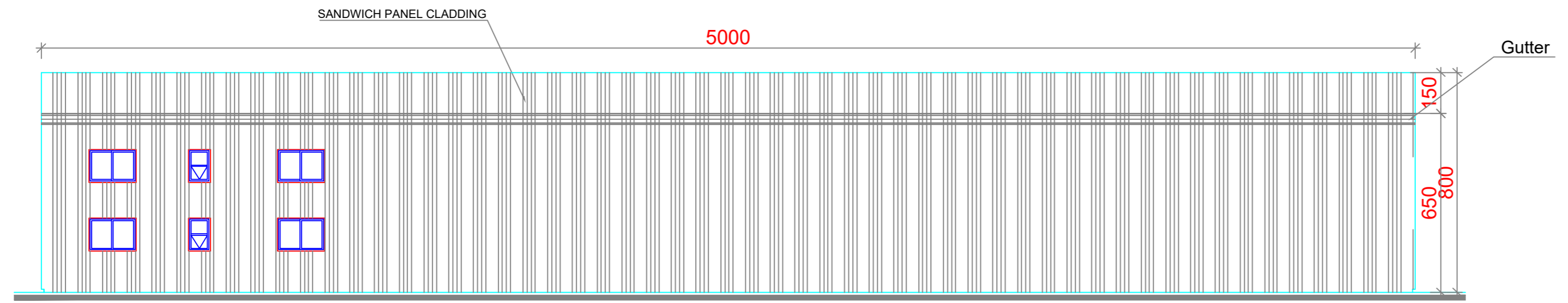
OFFICIAL USE ONLY :



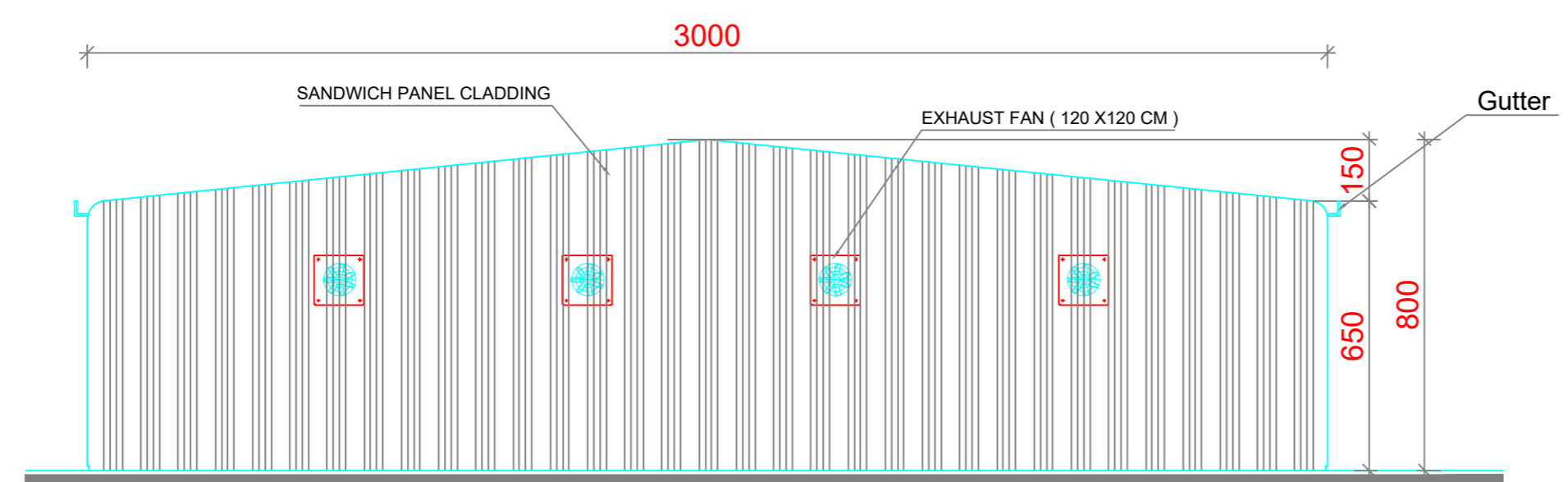
1 ELEVATION - 1
Scale 1:100



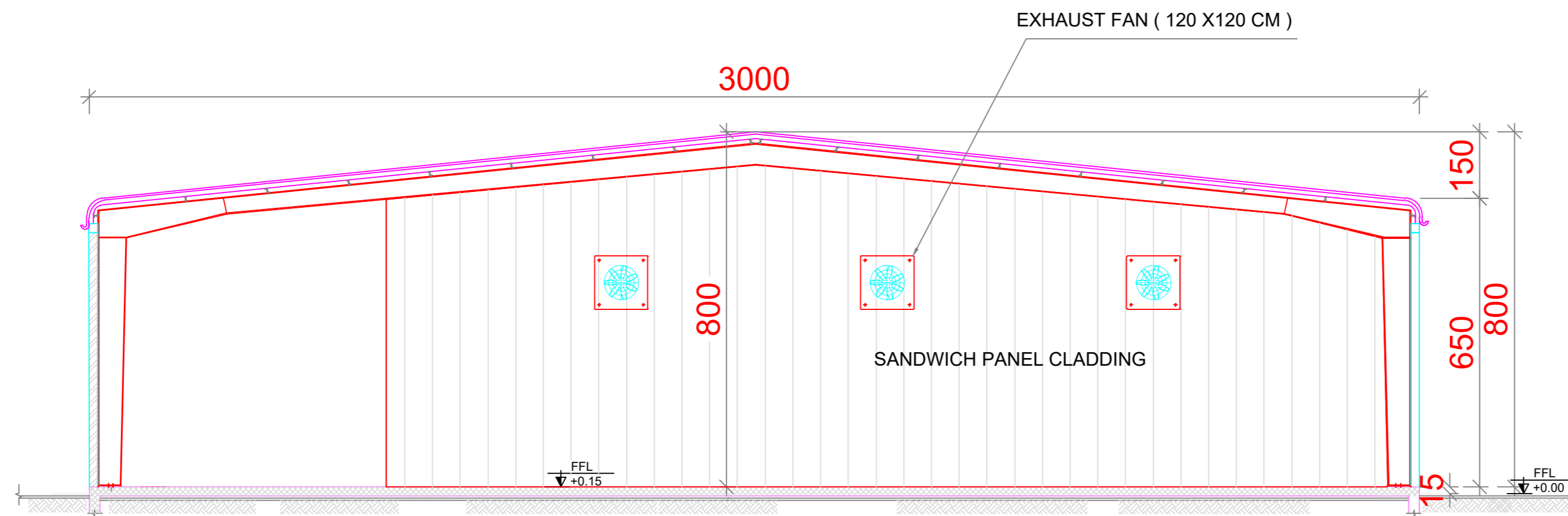
2 ELEVATION - 2
Scale 1:100



3 ELEVATION - 3
Scale 1:100



4 ELEVATION - 2
Scale 1:100



1 SECTION - A-A
Scale 1:100

LAND KEY :

GENERAL NOTES :

XX	XXXXX XXX XXXXX	XX/XX/XXXX

REV. NO.	DESCRIPTION	Date
----------	-------------	------



CHECKED BY:
Eng Mohamed Adel Mob: 0506737577

OWNER: 1-ABI DHABI GOVERNMENT
2-EMIRATES FALCONS AVIATION

CONSULTANT :
GOLDEN CORNER ENG.CONSULTING
TEL :03-7666631
FAX :03-7666727
P.O.BOX:84660
EMAIL:GCEC01@ GMAIL.COM



PROJECT NAME :
EMIRATES FALCONS AVIATION

ZONE : NAHEL TOWN PLOT NO : 56-03-802-625

SECTOR :
AL SHAQQ

PROJECT DESCRIPTION :
SUPPORT CLUB & RUNWAY

DRAWING TITLE :
Hanger (Sections)

DRAWING NO : EFA-H-A33 REVISION NO: xxx

SUBMISSION DATE : Dec-20 SCALE : NTS

PROJECT ID : B2N-2019-007520 DRAWING SIZE : A2

OFFICIAL USE ONLY :

OFFICIAL USE ONLY :